



*Pat Sloan* the voice of quilting™

www.patsloan.com

8.5" x 16.5" banner  
Fabric line is 'Love You'  
Join the Button Lover's  
Club today!



## Cutting & Sewing

### Background white Fabric 1

- Cut 2 squares 2.5" x 2.5"
- Cut 4 squares 3" x 3" for HST
- Cut 2 rectangles 1.5" x 8.5"

### Floral Fabrics, variety used

- Cut 1 squares 4.5" x 4.5"
- Cut 2 squares 2.5" x 2.5"
- Cut 4 squares 3" x 3" for HST

### Red Polka Dots

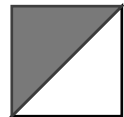
- Cut 8 square 3" x 3" for HST

### Red Stripe

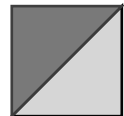
- Cut 2 rectangles 1.5" x 8.5"

### Half Square Triangles

1) Sew the 3" white and red polka dot squares  
Using HST method on last page.  
Make 8 units - trim to 2.5" square



2) Sew the 3" floral and red polka dot squares  
Using HST method on last page.  
Make 8 units - trim to 2.5" square

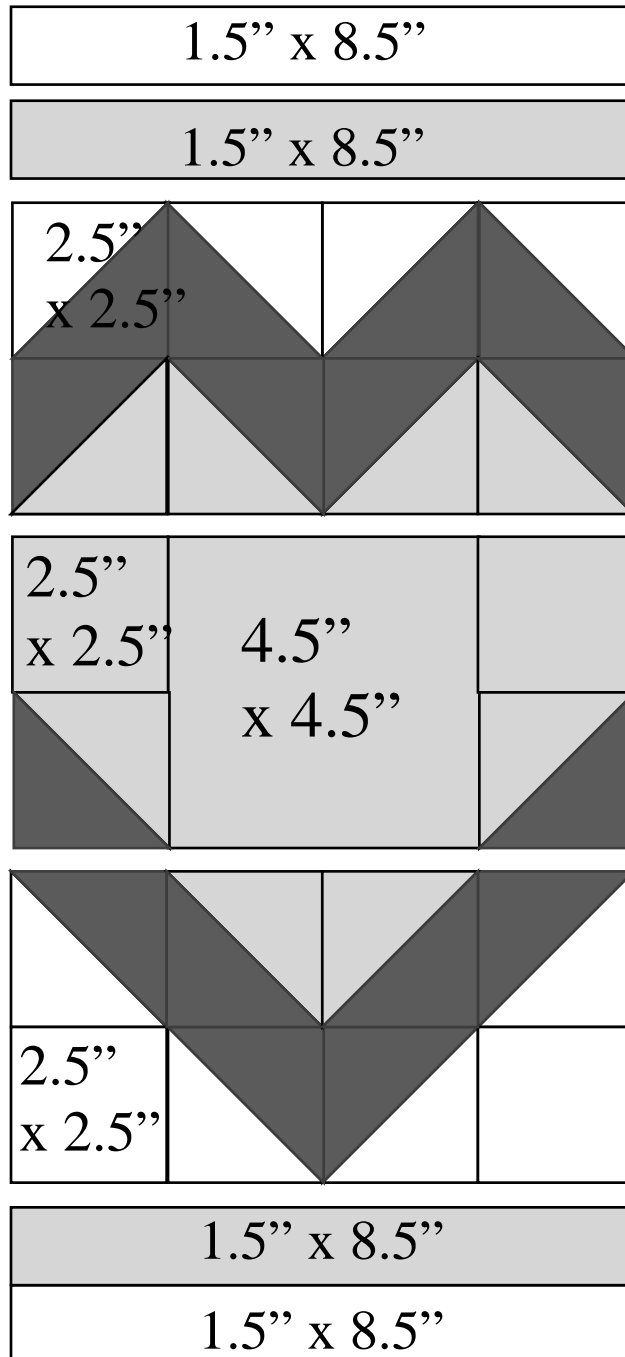


3) Lay out all the pieces following the  
Diagram on page #2

*I Love to Make Quilts.com*

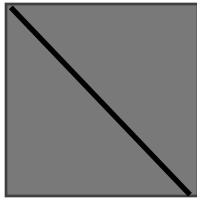
A site for Passionate Quilters  
Hosted by Pat Sloan

# Cutting Sizes    Quilt is 8.5" x 16.5"



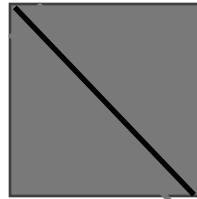
## Half Square Triangles Tutorial

**NOTE-** For other ways to make HST units, see my book  
"Pat Sloan's Teach Me to Sew Triangles"



**Step 1**

- Draw a line on the back of all the lighter squares



**Step 2**

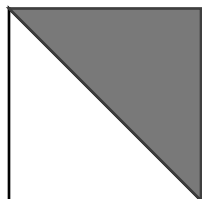
- Layer the 2 squares  
- Sew a 1/4" seam on both Sides of the drawn line



**Step 3**

Cut on the drawn Line for 2 HST

**Step 4**



-Trim squares to 2.5" x 2.5" using a square ruler with a diagonal line placed on the Seam.

**See my Book**

**"Pat Sloan's Teach Me to Sew Triangles"**  
For Step by Step photos and methods to make more at one time