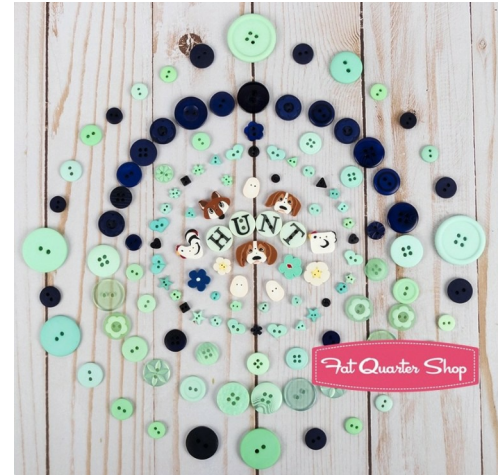




Pat Sloan the voice of quilting™
www.patsloan.com

‘Splish Splash’
18.5” x 22.5” banner
Fabric line is ‘Fox Farm’
Join the Button Lover’s
Club today!



Cutting & Sewing

Background farm print

- Cut 1 rectangle 10.5” x 14.5”

Navy Dot

- Cut 4 squares 3” x 3” for HST
- Cut 2 boots

Small Floral Fabric

- Cut 4 squares 3” x 3” for HST
- Cut 2 boot cuffs
- Cut 2 book soles

Red Stripe

- Cut 4 Strips 2.5” x 10.5”

Red Floral

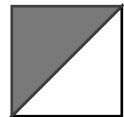
- Cut 4 Strips 2.5” x 10.5”

Boot print

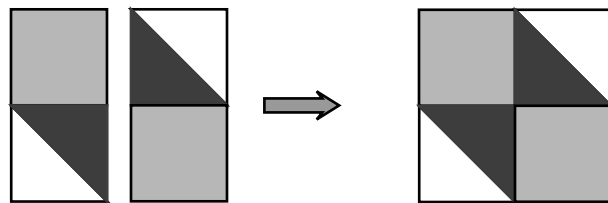
- Cut 8 squares 2.5” x 2.5”

Half Square Triangles

- 1) Sew the 3” navy dot and small floral squares
Using HST method on last page.
Make 8 units - trim to 2.5” square



- 2) Using the 2.5” boot print squares and the HSTs
to make 4-patch units
Make 4 units
Measures 4.5” x 4.5”



I Love to Make Quilts.com

A site for Passionate Quilters
Hosted by Pat Sloan

Assemble the Quilt

3) Following the diagrams position the boots, Add the cuff on top and the sole on the bottom.

Applique

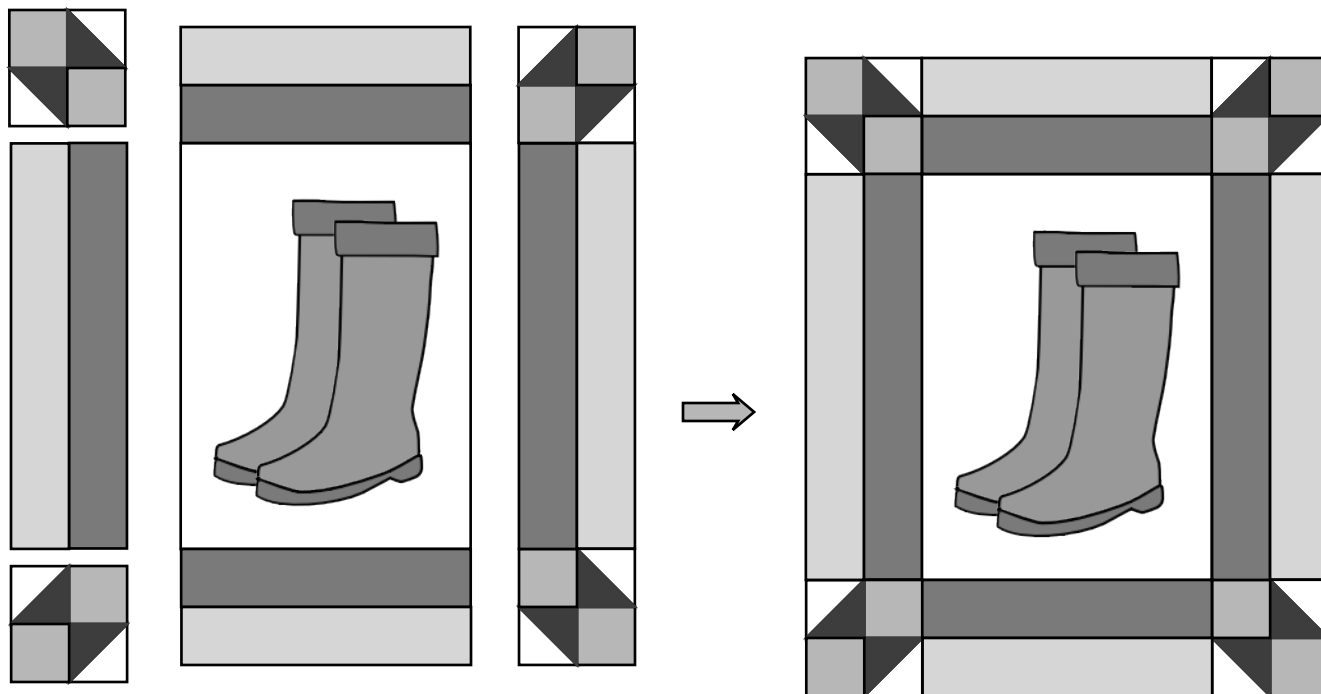
Make 1 -

Measures 10.5" x 14.5"



4) Following the diagrams assemble the quilts

Measures 18.5" x 22.5"



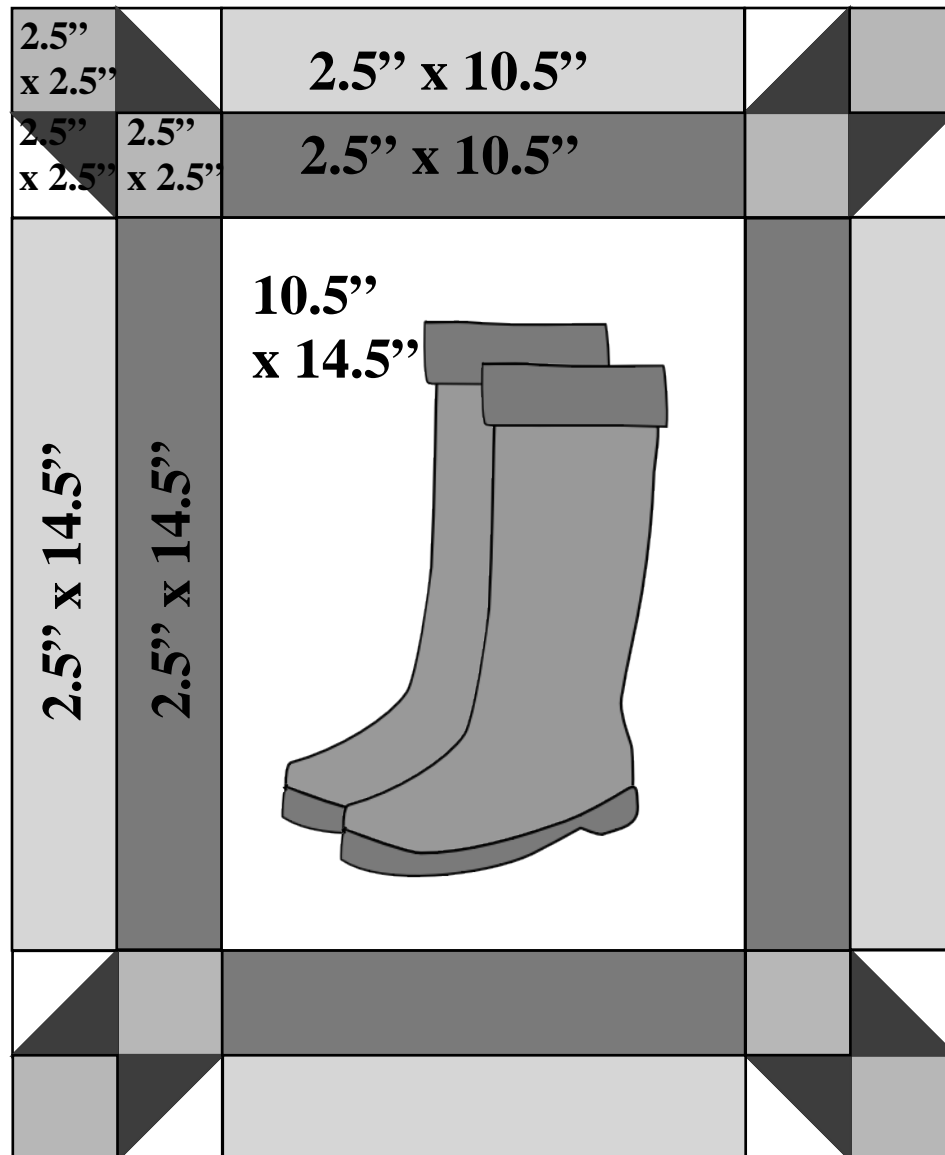
Pat Sloan the voice of quilting™

www.patsloan.com

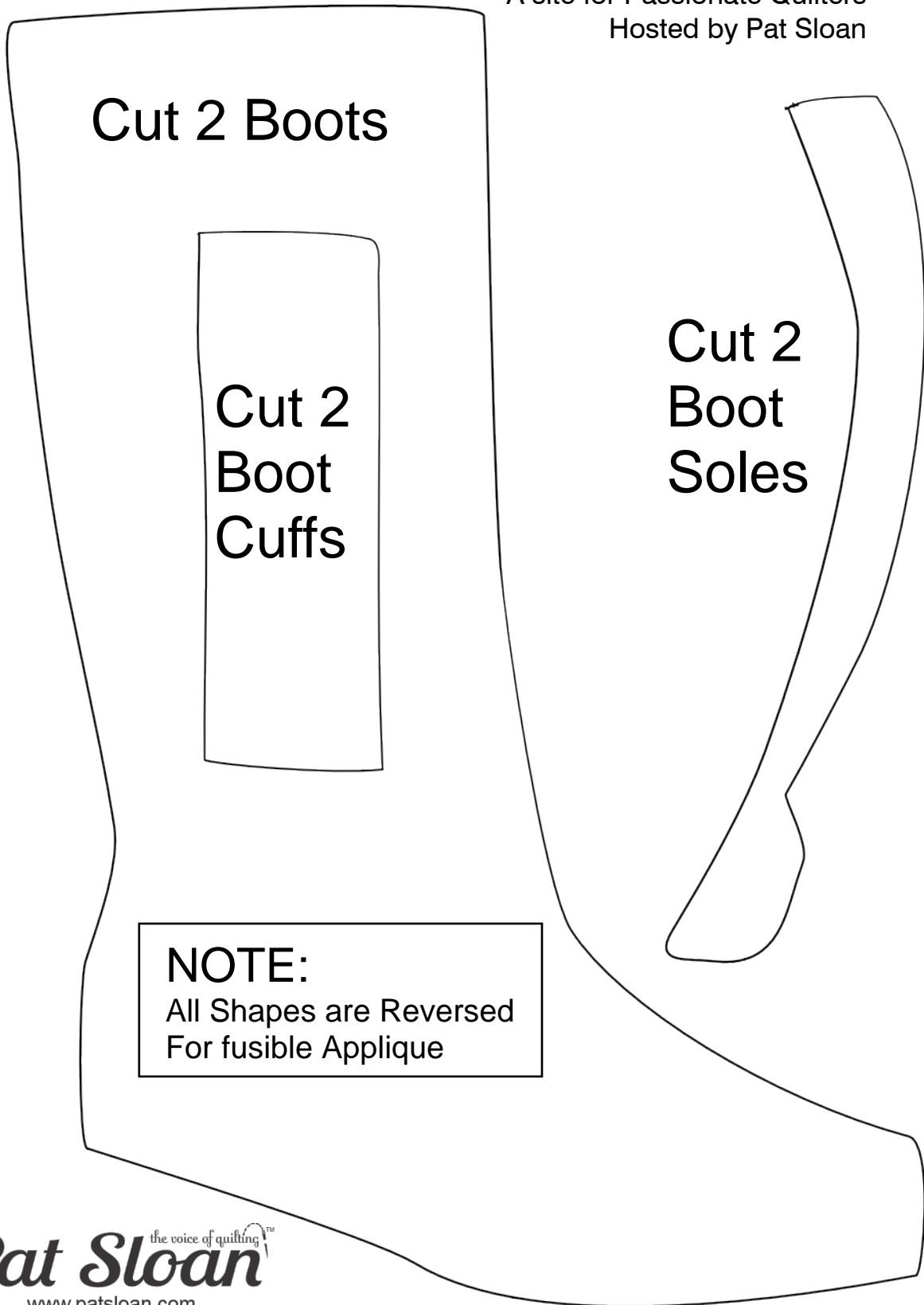
Website PatSloan.com - Articles & Tutorials blog.PatSloan.com

Online Community [Facebook.com/PatSloanQuiltFun](https://www.facebook.com/PatSloanQuiltFun)

Cutting Sizes

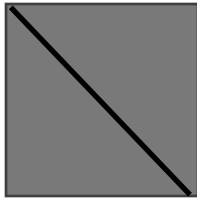


Quilt is 18.5" x 22.5"



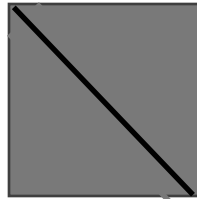
Half Square Triangles Tutorial

NOTE- For other ways to make HST units, see my book
"Pat Sloan's Teach Me to Sew Triangles"



Step 1

- Draw a line on the back of all the lighter squares



Step 2

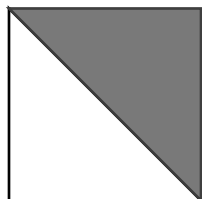
- Layer the 2 squares
- Sew a 1/4" seam on both Sides of the drawn line



Step 3

Cut on the drawn Line for 2 HST

Step 4



-Trim squares to 2.5" x 2.5" using a square ruler with a diagonal line placed on the Seam.

See my Book

"Pat Sloan's Teach Me to Sew Triangles"
For Step by Step photos and methods to make more at one time